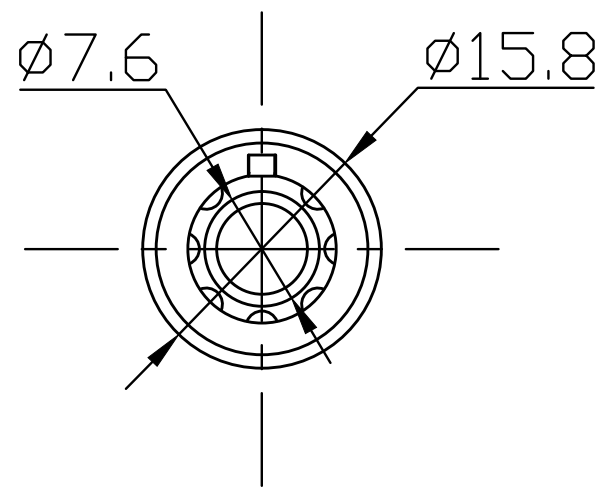
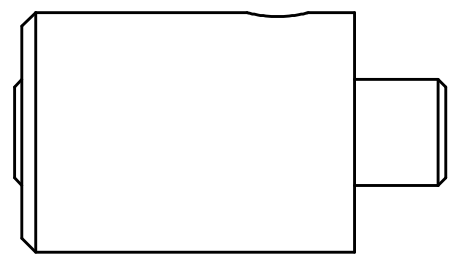


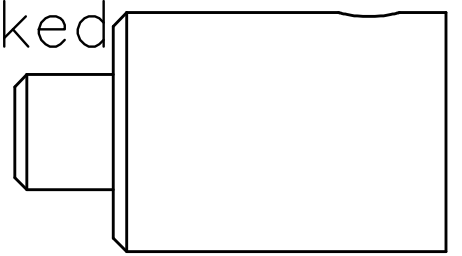
A: 6 mm
 or
 9 mm




Lock



unlocked




 MINGYI LOCK CO., LTD.

| | | | |
|-----------------|--|---------------|--|
| MATERIAL | | TITEL | |
| BY PART | | PL-16 | |
| HEAT TREATMENT | | DRAWING NO. | |
| NON-QUENCH | | MY-CLY-PL16-1 | |
| FINISH | | REV. | |
| CHROMIUM PLATED | | A | |

| | | |
|----------|----------|----------|
| SCAL | UNIT | |
| 2:1 | mm | |
| DR. | CHK. | APPRO'D |
| James | 黃宗權 | 黃宗雄 |
| DATE | DATE | DATE |
| 8/2/2011 | 8/2/2011 | 8/2/2011 |